

Labworldsoft accessories

PC-Plug-in card PCI 8.2

The PC-Plug-in card PCI 8.2 allows to run 8 instruments simultaneous with the labworldsoft.

Included in the delivering range are an PCI-Plug-in card, to install into the PC, and a multiseriell box with eight 25 pole Sub-D (M) interfaces, on witch the instruments can be connected.

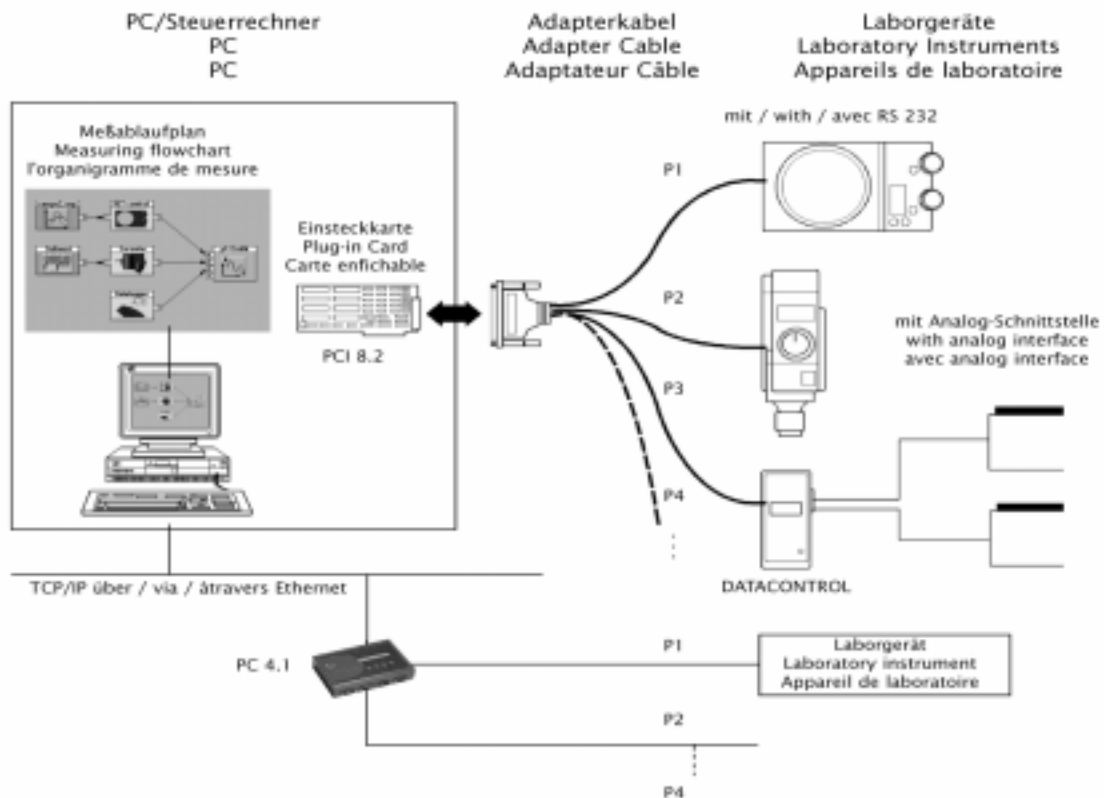
RS232 Server PC 4.1

Can control RS232 devices located virtually anywhere (via Ethernet or Internet) through labworldsoft
The RS232 Server PC4.1 is an industrial-strength, network-based serial device server for connecting up to four RS-232 devices, such as magnetic stirrers, water baths, balances, pumps,... directly to a 10/100 Mbps Ethernet network running TCP/IP.

PC4.1 can be configured over the Ethernet and serve as a transparent serial channel without platform and distance limitations.

labworldsoft®...

...zum Steuern von Labormeßgeräten und zum Messen und Auswerten von Daten
...for control of laboratory measuring instruments and for measurement and evaluation of data
...pour la commande d'appareils de laboratoire et la mesure et évaluation de données



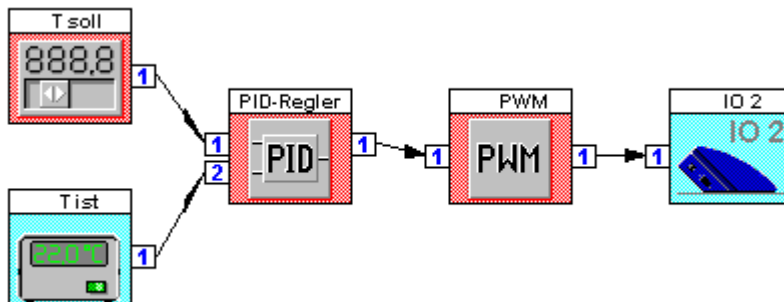
DATACONTROL I/O 2

With the DATACONTROL I/O2, the switching box I/O 2.1 and the labworld $soft$, any Instrument without an interface (e.g. heating devices, magnetic valves) can be turned on and off depending on a special event (e.g. reaching a limited value).

This opens a lot of possibilities for regulation in connection with the PID-, Relay- and Triggermodules of the labworld $soft$.

Additionally 8 Inputs on the DATACONTROL I/O 2 can be used to send signals to the labworld $soft$ e.g. with Push buttons.

The following shows a simple labworld $soft$ -configuration to regulate a heating device without any interfaces e.g. an immersion heater.



Accessories: switching box I/O 2.1
Cable PC 1.5
Adapter PC 2.2

Chosen technical Data:

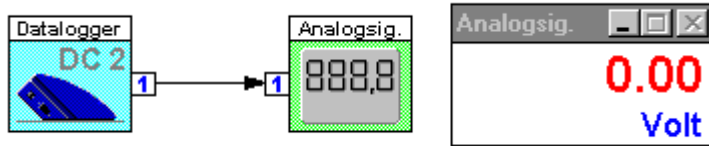
I/O 2 8 Outputs relay-contact: 30V / 1A
8 Inputs voltage: 0-24V

I/O 2.1 Max. power of connected instruments: 1,2kW
able-length: 0,6m
EURO-Plug (other connections on inquiry)

DATACONTROL DC 2

With the DATACONTROL DC 2 analog signals from max. 4 Instruments with analog interfaces will be changed into digital ones. These can be shown by labworld**soft**, handled and saved.

The following shows a simple labworld**soft**-configuration. A voltage-signal will be shown on a digital display.



Accessories: Cable PC 2.4
Cable PC 1.5
Adapter PC 2.2

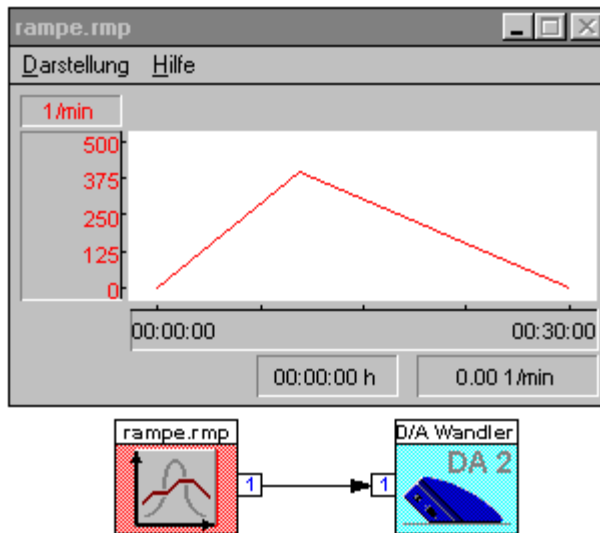
Chosen technical data:

Input channel 1:	configurable	0-1V, 0-10V, 0-20mA and 4-20mA
Input channel 2:	configurable	0-1V, 0-10V, 0-20mA and 4-20mA
Input channel 3 / 4	fixed	0-5V

DATCONTROL D/A 2

With the DATACONTROL D/A 2 digital signals will be changed into analog ones. This allows to control Instruments with analog control-inputs (e.g. industrial controller, attemperators) with the labworld**soft**..

The following shows a simple labworld**soft**-configuration. An analog controllable instrument is controlled by a ramp programmed in the software.



Accessories: Cable PC 1.5
Adapter PC 2.2

Chosen technical data:

Input channel 1:	configurable	0-1V, 0-10V, 0-20mA and 4-20mA
Input channel 2:	configurable	0-1V, 0-10V, 0-20mA and 4-20mA
Input channel 3 / 4	fixed	0-5V

Connection sketch for the plug-in card PCI 8.2, DATACONTROL IO 2, DATACONTROL DC 2, DATACONTROL DA 2

